

Meat Mincer\Grater Meat Mincer\Grater - 22 S/S Mincing Unit

ITEM # _____

MODEL # _____

NAME # _____

SIS # _____

AIA # _____


603540 (MMG22)

Meat mincer/grater with stainless steel mincing Unit, attachment type 22

Short Form Specification

Item No. _____

Stainless steel mincing unit and body in die-cast aluminium. Microswitch positioned on the handle prevents accidental contact. Protection grill is positioned beneath the grating cylinder and in front of the shredder attachment, to avoid accidental contact. Removable grinding unit for easier cleaning. 82mm plate diameter.

GRATER: Motor speed up to 900 rpm. Steel roller and stainless steel collection container. Suitable for grating bread, cheese or nuts. Output: 130 Kg cheese/hour and 150 Kg bread/hour.

MEAT MINCER: Motor speed up to 140 rpm. Chopper end, feed pan, collecting container, plate and self-sharpening knife in stainless steel. Output: 250-300 Kg meat/hour.

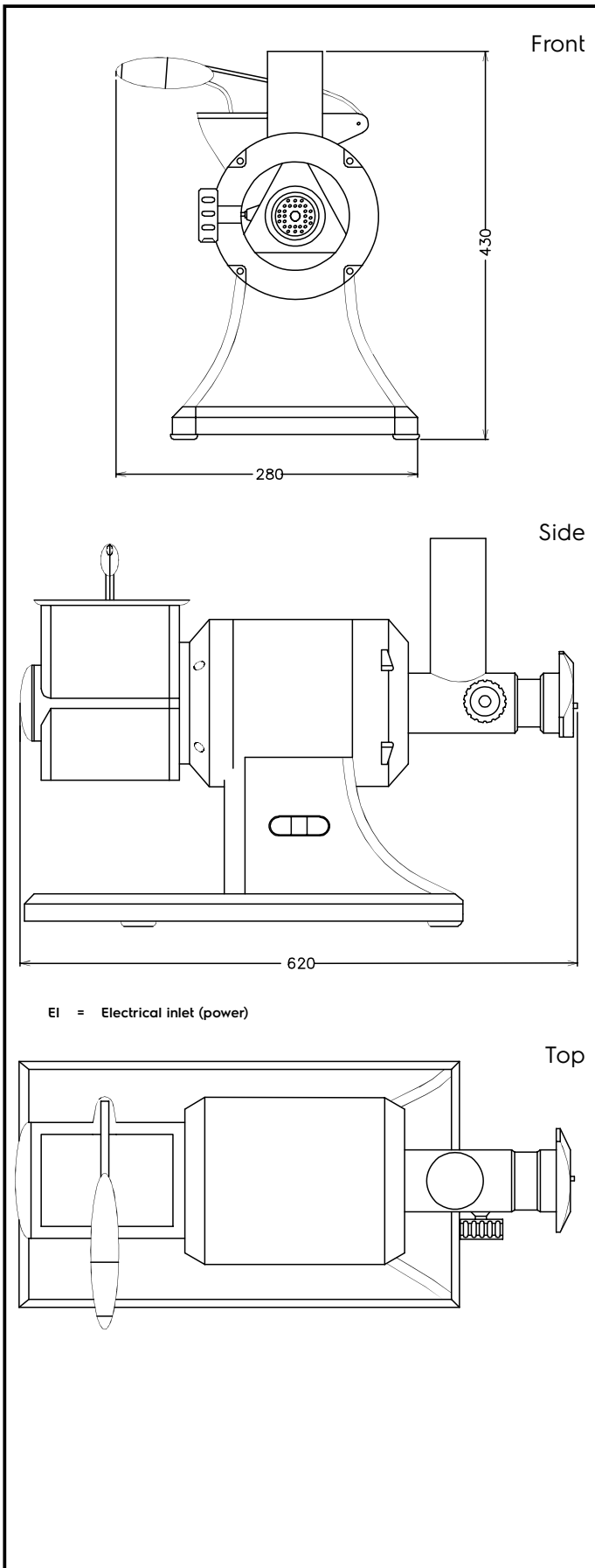
Main Features

- Suitable also for grating bread, cheese or nuts.
- Microswitch on handle to avoid accidental contact.
- Protection grill under the grating cylinder, in front of the shredder attachment for further protection against accidental contact.
- Helical oil bath gear motor protected by a thermal fuse.
- Easily removable grinding unit for simple cleaning.
- Plate diameter of 82 mm and 22 type attachment.

Construction

- Die-cast aluminum body with 304 AISI stainless steel mincing unit, plate, self-sharpening knife, funnel and connection container.
- Grater motor speed up to 900 rpm.
- Up to 140 rpm screw revolution.
- Stainless steel roller, plastic pusher and collection container included as standard.

APPROVAL: _____



Electric

Supply voltage:	
603540 (MMG22)	400 V/3N ph/50 Hz
Total Watts:	1.1 kW

Key Information:

External dimensions, Width:	280 mm
External dimensions, Depth:	620 mm
External dimensions, Height:	430 mm
Shipping weight:	26.96 kg
Meat mincer productivity:	250-300 kg/h
Meat mincer loading hopper dimensions:	370 x 245 x 50 mm
Meat mincer collecting tray dimensions:	310 x 235 x 50
Grater cheese productivity:	130 kg/h
Grater bread productivity:	150 kg/h
Grater collecting tray dimensions:	∅ 230 x h 100 mm
Grater outlet dimensions:	95 x 145 x 75 mm